

COMPACT LIGHTING UNIT

Safety, Installation and Maintenance Instructions



READ AND FOLLOW ALL SAFETY INSTRUCTIONS

For birds,

"This fitting has been carefully designed to be fitted onto a bird cage safely. However large hookbills and those birds that are prone to chewing should be prevented from reaching the cables and lamp. For these birds the use of the ParrotPro maybe a better idea".

This product is designed for indoor use and will provide a good and safe service life, provided that these instructions are followed. Failure to do so may result in serious personal injury or property damage.

If you are in any doubt about the installation or operation of this product, please consult a qualified and experienced electrician.

Check that the voltage and frequency rating on the product label is the same as your electrical supply before proceeding further.

WARNING- To guard against injury, basic safety precautions should be observed, including the following:

- Disconnect from the mains supply socket before maintaining the Luminaire. Never pull on the cord to remove the plug from the socket, instead grasp the plug and pull to disconnect.
- Regularly check the security of all your Luminaire legs or suspension mechanism parts.
- The Luminaire can get HOT. Never touch the Luminaire while it is operating, allow adequate time for it to cool before attempting any maintenance.
- Do not operate the Luminaire with defective or faulty lamps – circuit damage may occur. Replace lamps promptly with a lamp of the correct type and wattage. It is advisable to keep spare lamps available.
- Do not use the appliance other than for its intended use. The use of non-Arcadia attachment or accessories is not recommended and may cause an unsafe condition.
- Do not install or store the appliance where it will be exposed to extremes of weather or temperatures below freezing.
- Do not let animals sleep or sit on or in the fitting.
- Do not directly spray the fitting with water.
- Follow the advice on locating the unit to suit the animal you are lighting.

Lamp installation

Screw the lamp in by holding the base and not the glass. The lamp may be damaged if the lamp is screwed in by holding the glass. **Illustration 1.**

Physical installation

It is important that animals that are supplied with artificial lighting products have the ability to find shade. This is essential to the D3 cycle.

Light Sources should be fitted above the animals head height to reduce glare risk and should light a portion of the living space so that areas of light and shade can be found.

The basking spot for most species of reptile, amphibian and bird when using Arcadia branded lamps is 30-38cm (12-15") from the lamp to the animals head.

Illustration 2.

Electrical installation

Plug the luminaire into the mains socket.

Use the switch on the mains lead to turn the luminaire on/off.

A suitable plug in timer may be used with this product, such as the Classica CAA01 or CAA02.

Trouble Shooting

Lamps strike almost immediately at nearly full brightness (dependant on ambient temperature) and reach their operating temperature soon after. After switching the fluorescent lamps off, they can be switched on straight away.

If the Luminaire does not light:

- Check that the mains power is connected and switched on both at the wall (including Timer if used) and on the Luminaire.
- Check that the Luminaire plug is properly fused.
- Check that the Luminaire is rated for the same supply voltage that you are using.
- Check that the Lamps are of the correct wattage, type and length for the Luminaire.
- Check that the lamps are installed correctly.

Maintenance Section:

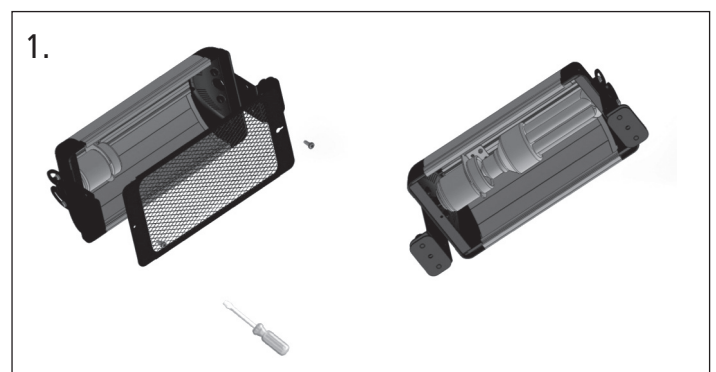
Regularly check the security of all parts of your hanging mechanism or mountings.

Cleaning: Disconnect from the power supply and wait till the Luminaire is cool before cleaning, this not only avoids smears but also reduces the likelihood of any damage from moisture entering the Luminaire.

Both the appearance and performance of your Luminaire can benefit from regular cleaning. A damp cloth is normally adequate to clean the body.

Spare items:

For a list of spare items available, please refer to the Arcadia Products website for the most up to date information.



End of Use Recycling Information

This product is covered by European Directive 2002/96/EC. Please do not dispose of this product or replacement lamps with your normal household waste. To safely and responsibly dispose of the product please ensure all the components are deposited in the appropriate areas of your local civic recycling centre. Proper disposal of this product helps to prevent potential negative consequences for the environment and human health.

All electronic components (this includes the power supply and the lamp holder) should be placed in the electronic waste recycling area.

If a fluorescent lamp is provided with this product it contains mercury, and cannot be disposed of with normal household waste; it should be deposited in the fluorescent lamp recycling area at your local civic recycling centre or taken to any approved recycling point for fluorescent lamps.